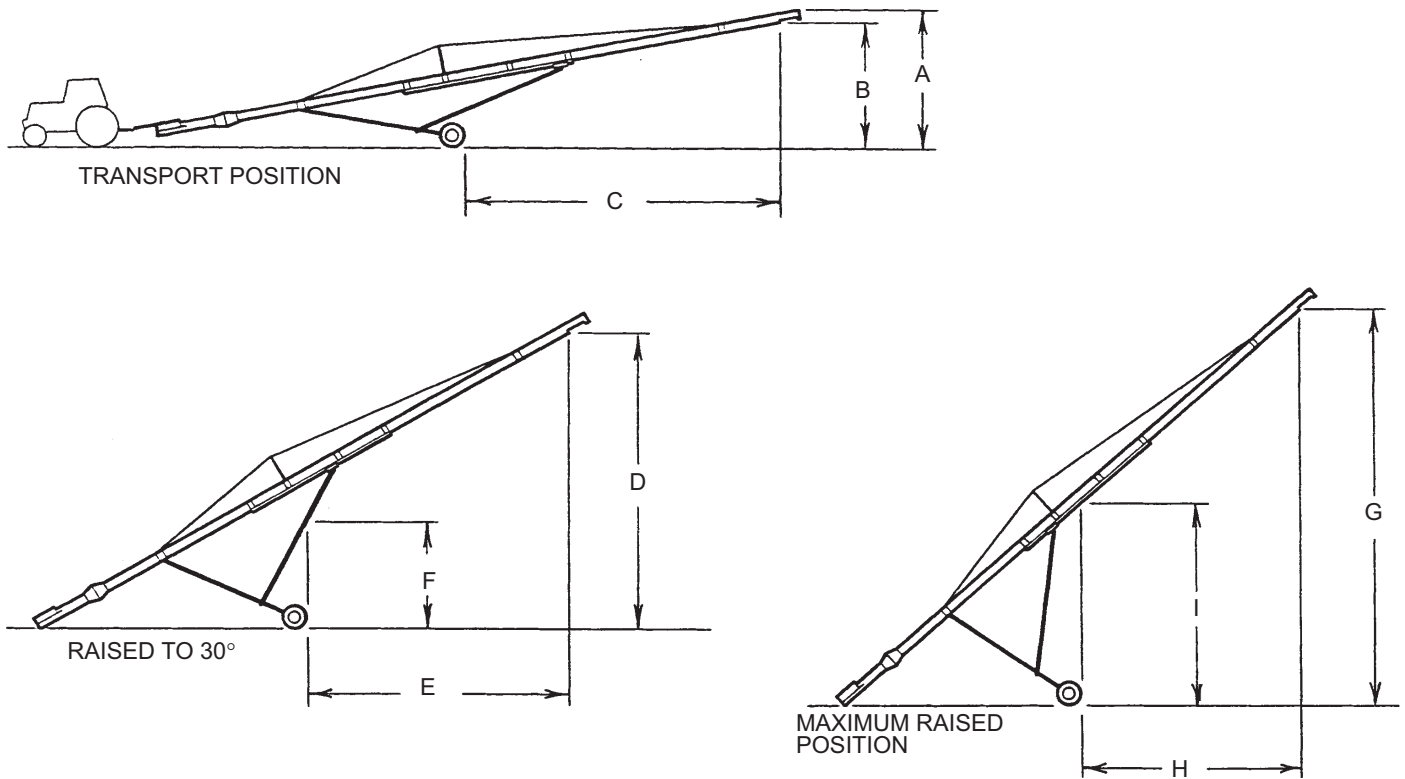


IN-LINE DRIVE AUGER WITH MANUAL WINCH LIFT OPERATING HEIGHTS AND GENERAL DIMENSIONS

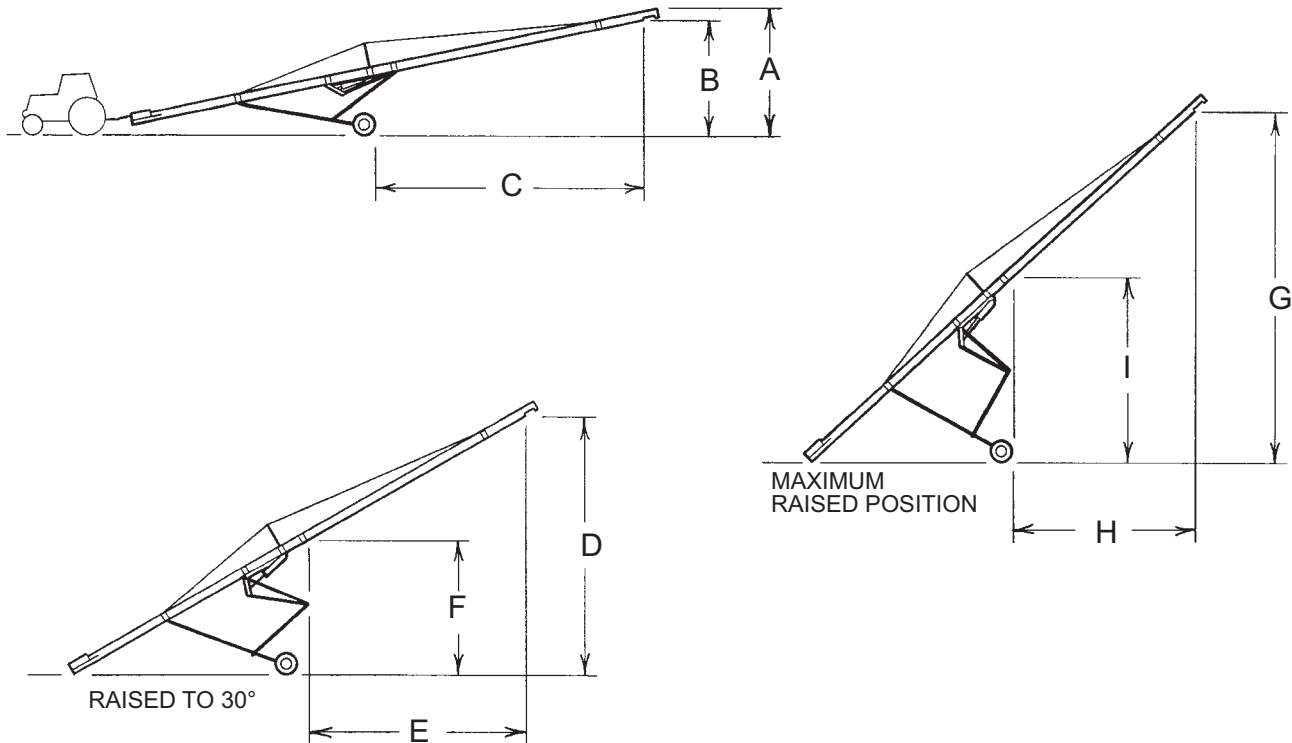


MANUAL WINCH LIFT

AUGER SIZE	OVERALL HEIGHT DURING TRANSPORT A	DISCHARGE HEIGHT TRANSPORT POSITION B	CLOSEST POINT TO BIN TRANSPORT POSITION C	DISCHARGE HEIGHT AT 30° D	CLOSEST POINT TO BIN AT 30° E	FREE CLEARANCE AT 30° F	DISCHARGE HEIGHT MAXIMUM POSITION G	CLOSEST POINT TO BIN MAXIMUM POSITION H	FREE CLEARANCE AT MAXIMUM POSITION I	OVERALL TREAD WIDTH
8" x 32'	8' - 0" (2.44 m)	6' - 9" (2.06 m)	15' - 3" (4.65 m)	14' - 10" (4.37 m)	12' - 11" (3.94 m)	7' - 2" (2.18 m)	21' - 6" (6.65 m)	9' - 8" (2.95 m)	10' - 10" (3.30 m)	7' - 3" (2.21 m)
8" x 42'	9' - 2" (2.79 m)	6' - 5" (1.96 m)	19' - 3" (5.87 m)	19' - 10" (6.05 m)	16' - 1" (4.90 m)	7' - 9" (2.36 m)	26' - 6" (8.08 m)	13' - 4" (4.06 m)	14' - 4" (4.37 m)	9' - 0" (2.74 m)
8" x 52'	11' - 5" (3.48 m)	10' - 5" (3.18 m)	24' - 5" (7.44 m)	24' - 10" (7.57 m)	20' - 9" (6.32 m)	10' - 0" (3.05 m)	33' - 10" (10.31 m)	16' - 9" (5.11 m)	18' - 1" (5.51 m)	9' - 0" (2.74 m)
8" x 62'	11' - 9" (3.58 m)	10' - 10" (3.30 m)	30' - 0" (9.14 m)	29' - 10" (9.09 m)	25' - 4" (7.72 m)	12' - 4" (3.76 m)	41' - 2" (12.55 m)	20' - 2" (6.15 m)	21' - 9" (6.63 m)	9' - 0" (2.74 m)
8" x 72'	12' - 5" (3.78 m)	11' - 2" (3.40 m)	35' - 8" (10.87 m)	34' - 10" (10.62 m)	30' - 0" (9.14 m)	17' - 3" (5.77 m)	49' - 0" (14.94 m)	22' - 11" (6.99 m)	26' - 1" (7.95 m)	11' - 2" (3.40 m)
10" x 32'	8' - 3" (2.51 m)	7' - 1" (2.16 m)	14' - 11" (4.47 m)	14' - 8" (4.47 m)	12' - 8" (3.86 m)	6' - 7" (2.01 m)	21' - 0" (6.40 m)	9' - 10" (3.00 m)	10' - 6" (3.20 m)	7' - 3" (2.21 m)
10" x 42'	9' - 3" (2.82 m)	7' - 6" (2.29 m)	19' - 0" (5.79 m)	19' - 8" (5.99 m)	16' - 1" (4.90 m)	7' - 6" (2.29 m)	28' - 11" (8.81 m)	11' - 10" (3.61 m)	15' - 7" (4.75 m)	9' - 0" (2.74 m)
10" x 52'	11' - 7" (3.53 m)	10' - 5" (3.18 m)	24' - 0" (7.32 m)	24' - 7" (7.49 m)	20' - 7" (6.27 m)	9' - 10" (3.00 m)	35' - 1" (10.69 m)	15' - 11" (4.85 m)	18' - 6" (5.64 m)	9' - 0" (2.74 m)
10" x 62'	12' - 8" (3.86 m)	11' - 6" (3.51 m)	29' - 4" (8.94 m)	29' - 7" (9.02 m)	25' - 1" (7.65 m)	12' - 2" (3.71 m)	42' - 1" (12.83 m)	19' - 6" (5.94 m)	22' - 2" (6.76 m)	9' - 0" (2.74 m)
10" x 72'	12' - 10" (3.91 m)	11' - 9" (3.58 m)	34' - 4" (10.46 m)	34' - 6" (10.52 m)	29' - 3" (8.92 m)	16' - 3" (4.95 m)	49' - 0" (14.94 m)	22' - 8" (6.91 m)	26' - 1" (7.95 m)	11' - 2" (3.40 m)

* Transport height with auger attached to the drawbar of towing vehicle can vary depending on vehicle.

IN-LINE DRIVE AUGER WITH HYDRAULIC LIFT OPERATING HEIGHTS AND GENERAL DIMENSIONS



AUGER SIZE	OVERALL HEIGHT DURING TRANSPORT *	DISCHARGE HEIGHT TRANSPORT POSITION *	CLOSEST POINT TO BIN TRANSPORT POSITION	DISCHARGE HEIGHT AT 30°	CLOSEST POINT TO BIN AT 30°	FREE CLEARANCE AT 30°	DISCHARGE HEIGHT MAXIMUM POSITION	CLOSEST POINT TO BIN MAXIMUM POSITION	FREE CLEARANCE AT MAXIMUM POSITION	OVERALL TREAD WIDTH
	A	B	C	D	E	F	G	H	I	
8" x 52'	12' - 2" (3.71 m)	11' - 2" (3.40 m)	25' - 8" (7.85 m)	25' - 0" (7.62 m)	20' - 6" (6.25 m)	13' - 1" (3.99 m)	33' - 11" (10.34 m)	17' - 1" (5.21 m)	17' - 11" (5.46 m)	9' - 0" (2.74 m)
8" x 62'	11' - 6" (3.51 m)	10' - 6" (3.20 m)	31' - 2" (9.50 m)	30' - 0" (9.14 m)	25' - 0" (7.62 m)	15' - 6" (4.72 m)	42' - 3" (12.88 m)	19' - 11" (6.07 m)	22' - 1" (6.73 m)	9' - 0" (2.74 m)
8" x 72'	11' - 8" (3.56 m)	10' - 6" (3.20 m)	37' - 3" (11.35 m)	35' - 0" (10.67 m)	29' - 0" (8.84 m)	18' - 3" (5.56 m)	49' - 0" (14.94 m)	23' - 6" (7.16 m)	26' - 0" (7.92 m)	11' - 2" (3.40 m)
10" x 52'	11' - 3" (3.43 m)	9' - 11" (3.02 m)	24' - 11" (7.59 m)	25' - 1" (7.65 m)	19' - 11" (6.07 m)	13' - 7" (4.14 m)	35' - 3" (10.74 m)	16' - 10" (5.13 m)	19' - 0" (5.79 m)	9' - 0" (2.74 m)
10" x 62'	12' - 7" (3.84 m)	11' - 8" (3.56 m)	30' - 1" (9.17 m)	30' - 0" (9.14 m)	24' - 1" (7.34 m)	15' - 10" (4.83 m)	42' - 3" (12.88 m)	19' - 8" (5.99 m)	22' - 4" (6.81 m)	9' - 0" (2.74 m)
10" x 72'	12' - 7" (3.84 m)	10' - 9" (3.28 m)	35' - 6" (10.82 m)	34' - 10" (10.62 m)	27' - 11" (8.51 m)	18' - 9" (5.72 m)	49' - 0" (14.94 m)	23' - 1" (7.04 m)	26' - 4" (8.03 m)	11' - 2" (3.40 m)

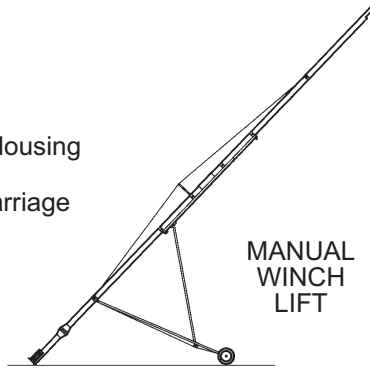
*Transport height with auger attached to the drawbar of towing vehicle can vary depending on vehicle.

Note: For older augers with internal bearings, the above dimensions may vary (due to undercarriage mount location).

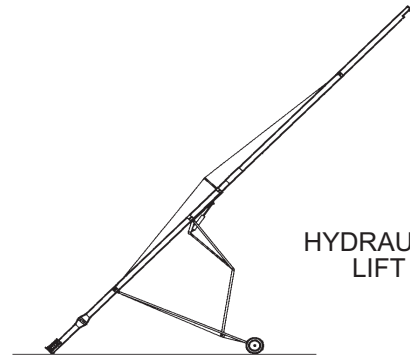
8" GALVANIZED IN-LINE DRIVE AUGER (Includes Tires / ZAM® Galvanizing)

FEATURES:

- 12 Ga. (2.6 mm) Galvanized Housing
- 1/4" Flight
- Winch Lift or Hyd. Lift Undercarriage
- 15" (38.1 cm) Tires & Rims
- PTO or Electric Drive
- Pop-off End Cap
- Standard Intake Guard



MANUAL
WINCH
LIFT



HYDRAULIC
LIFT

HUTCHINSON

AUGER SIZE	STYLE	Catalog No.	Approx. Weight	List Price
8" x 32'	Manual Winch Lift	HG832IL15	894 lbs. (406 kg)	\$4,935.00
8" x 42'	Manual Winch Lift	HG842IL15	1,157 lbs. (525 kg)	\$5,880.00
8" x 52'	Manual Winch Lift	HG852IL15	1,411 lbs. (640kg)	\$6,594.00
	Hydraulic Lift	HG852ILH15	1,507 lbs. (684 kg)	\$7,702.00
8" x 62'	Manual Winch Lift	HG862IL15	1,657 lbs. (752 kg)	\$7,455.00
	Hydraulic Lift	HG862ILH15	1,757 lbs. (797 kg)	\$8,568.00
8" x 72'	Manual Winch Lift	HG872IL15	2,167 lbs. (983 kg)	\$8,694.00
	Hydraulic Lift	HG872ILH15	2,267 lbs. (1,028 kg)	\$9,980.00

MAYRATH

AUGER SIZE	STYLE	Catalog No.	Approx. Weight	List Price
8" x 32'	Manual Winch Lift	MG832IL15	894 lbs. (406 kg)	\$4,935.00
8" x 42'	Manual Winch Lift	MG842IL15	1,157 lbs. (525 kg)	\$5,880.00
8" x 52'	Manual Winch Lift	MG852IL15	1,411 lbs. (640kg)	\$6,594.00
	Hydraulic Lift	MG852ILH15	1,507 lbs. (684 kg)	\$7,702.00
8" x 62'	Manual Winch Lift	MG862IL15	1,657 lbs. (752 kg)	\$7,455.00
	Hydraulic Lift	MG862ILH15	1,757 lbs. (797 kg)	\$8,568.00
8" x 72'	Manual Winch Lift	MG872IL15	2,167 lbs. (983 kg)	\$8,694.00
	Hydraulic Lift	MG872ILH15	2,267 lbs. (1,028 kg)	\$9,980.00

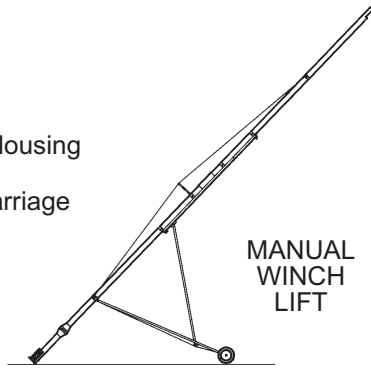
***8" In-Line Drive Augers are NOT provided with a drive. A PTO or Electric Drive Kit MUST be ordered separate with every 8" In-Line Drive Auger.**

NOTE: The hydraulic lift undercarriage requires one hydraulic control circuit with a minimum pressure of 1800 PSI (12,411 kPa) to 2,000 PSI (13,790 kPa) for lifting the auger.

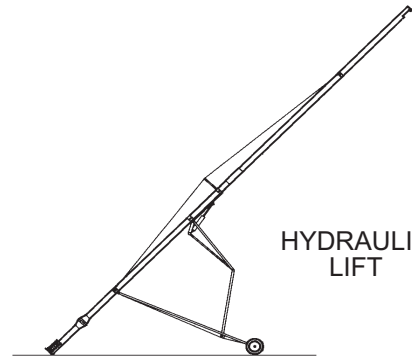
10" GALVANIZED IN-LINE DRIVE AUGER (Includes Tires / ZAM® Galvanizing)

FEATURES:

- 12 Ga. (2.6 mm) Galvanized Housing
- 1/4" Flight
- Winch Lift or Hyd. Lift Undercarriage
- 15" (38.1 cm) Tires & Rims
- PTO or Electric Drive
- Pop-off End Cap
- Standard Intake Guard



MANUAL
WINCH
LIFT



HYDRAULIC
LIFT

HUTCHINSON

AUGER SIZE	STYLE	Catalog No.	Approx. Weight	List Price
10" x 32'	Manual Winch Lift	HG1032IL15	1,193 lbs. (541 kg)	\$5,853.00
10" x 42'	Manual Winch Lift	HG1042IL15	1,598 lbs. (725 kg)	\$6,903.00
10" x 52'	Manual Winch Lift	HG1052IL15	2,023 lbs. (918 kg)	\$8,603.00
	Hydraulic Lift	HG1052ILH15	2,133 lbs. (968 kg)	\$9,024.00
10" x 62'	Manual Winch Lift	HG1062IL15	2,593 lbs. (1,176 kg)	\$9,108.00
	Hydraulic Lift	HG1062ILH15	2,703 lbs. (1,226 kg)	\$10,058.00
10" x 72'	Manual Winch Lift	HG1072IL15	3,288 lbs. (1,491 kg)	\$10,336.00
	Hydraulic Lift	HG1072ILH15	3,398 lbs. (1,541 kg)	\$11,575.00

MAYRATH

AUGER SIZE	STYLE	Catalog No.	Approx. Weight	List Price
10" x 32'	Manual Winch Lift	MG1032IL15	1,193 lbs. (541 kg)	\$5,853.00
10" x 42'	Manual Winch Lift	MG1042IL15	1,598 lbs. (725 kg)	\$6,903.00
10" x 52'	Manual Winch Lift	MG1052IL15	2,023 lbs. (918 kg)	\$8,603.00
	Hydraulic Lift	MG1052ILH15	2,133 lbs. (968 kg)	\$9,024.00
10" x 62'	Manual Winch Lift	MG1062IL15	2,593 lbs. (1,176 kg)	\$9,108.00
	Hydraulic Lift	MG1062ILH15	2,703 lbs. (1,226 kg)	\$10,058.00
10" x 72'	Manual Winch Lift	MG1072IL15	3,288 lbs. (1,491 kg)	\$10,336.00
	Hydraulic Lift	MG1072ILH15	3,398 lbs. (1,541 kg)	\$11,575.00

***10" In-Line Drive Augers are NOT provided with a drive. A PTO or Electric Drive Kit MUST be ordered separate with every 10" In-Line Drive Auger.**

NOTE: The hydraulic lift undercarriage requires one hydraulic control circuit with a minimum pressure of 1800 PSI (12,411 kPa) to 2,000 PSI (13,790 kPa) for lifting the auger.

8" & 10" IN-LINE DRIVE AUGER POWER REQUIREMENTS

MODEL	BPH / TPH (Max.)	FLIGHT R.P.M. (# of Belts)		POWER REQUIREMENTS		MOTOR PULLEY (Outside Diameter)
		Elec.	P.T.O.	Elec.*	P.T.O.	
8" x 32'	3200 BPH (86 TPH)	N/A	540	N/A	P.T.O.	N/A
8" x 42'	3200 BPH (86 TPH)	525 (2)	540	7 1/2-10 HP (5.5-7.5 kw)	P.T.O.	4.5" O.D. (11.4 cm)
8" x 52'	3200 BPH (86 TPH)	525 (2)	540	7 1/2-10 HP (5.5-7.5 kw)	P.T.O.	4.5" O.D. (11.4 cm)
8" x 62'	3200 BPH (86 TPH)	525 (3)	540	10-15 HP (7.5-11 kw)	P.T.O.	4.5" O.D. (11.4 cm)
8" x 72'	3200 BPH (86 TPH)	525 (3)	540	15-20 HP (11-15 kw)	P.T.O.	4.5" O.D. (11.4 cm)
10" x 32'	4500 BPH (122 TPH)	N/A	540	N/A	P.T.O.	N/A
10" x 42'	4500 BPH (122 TPH)	467 (3)	540	10-15 HP (7.5-11 kw)	P.T.O.	4.0" O.D. (10.2 cm)
10" x 52'	4500 BPH (122 TPH)	467 (3)	540	15 HP (11 kw)	P.T.O.	4.0" O.D. (10.2 cm)
10" x 62'	4500 BPH (122 TPH)	467 (4)	540	15-20 HP (11-15 kw)	P.T.O.	4.0" O.D. (10.2 cm)
10" x 72'	4500 BPH (122 TPH)	467 (4)	540	20-30 HP (15-22 kw)	P.T.O.	4.0" O.D. (10.2 cm)

* Use a motor size at the lower end of the range for dry, shelled corn or wheat. For higher moisture grain (up to 25%) use the upper end of the horsepower range. For grain exceeding 25% moisture, the next size larger motor above the range listed may be used as a maximum. For Reduction Drive units, use a motor size at the lower end of the range or a size below the recommended range, depend on the capacity required.

DRIVE KITS

8" & 10" In-Line Drive Augers are **NOT** provided with a drive. A PTO or Electric Drive Kit **MUST** be ordered separate with every 8" & 10" In-Line Drive Auger.

CATALOG NO.	AUGER MODEL	WT.	AUGER SIZE	LIST PRICE
PTO DRIVE KITS				
70860P	8"	47 lbs. (21 kg)	32', 42', 52', 62' & 72'	\$ 567.00
71060P	10"	51 lbs. (23 kg)	32', 42', 52', 62' & 72'	605.00
ELECTRIC DRIVE KITS				
70865E	8"	53 lbs. (24 kg)	42' & 52'	462.00
70866E	8"	58 lbs. (26 kg)	62' & 72'	494.00
70867E	8" Belt Reduction		42', 52', 62' & 72'	693.00
71065E	10"	60 lbs. (27 kg)	42' & 52'	530.00
71066E	10"	95 lbs. (43 kg)	62' & 72'	693.00

